

SRJ110010TVU075M, RJ45 Connector, 1000 Base-T, Magnetics

Features

Electrical Properties

| Parameter: | Description |
|---------------------------|--|
| Turn Ratio ($\pm 3\%$): | 1CT : 1CT |
| Inductance OCL: | 350uH Min. @100KHz , 0.1V 8mA DC Bias |
| Insertion Loss: | -1.1dB Max. @1-100MHz |
| Return Loss: | -18dB Min. @1-40MHz -14dB Min. @40-60MHz -12dB Min. @60-80MHz -10dB Min. @80-100MHz |
| Cross Talk: | -40dB Min. @1-30MHz -30dB Min. @30-60MHz |
| Common Mode Rejection: | -20dB Min. @1-100MHz |
| Hipot Test: | 1500Vrms |



Typical applications

- Ethernet
- Network Switch
- Network Hub
- Modems

Mechanical Properties

| Parameter: | Description |
|------------------------|--------------------------------------|
| Operating Temperature: | -40°C~+85°C |
| Wave Peak Soldering: | +265°C Max. 5 sec Max. |
| Dimensions: | 23.15 x 16.1 x 16.76 mm ± 0.1 |
| Housing: | Thermoplastic UL94V-0 |
| Contact / Shield: | Copper Alloy |
| Shield Plating: | Nickel |
| Contact Plating: | Gold 6 Micro-Inches Min. |

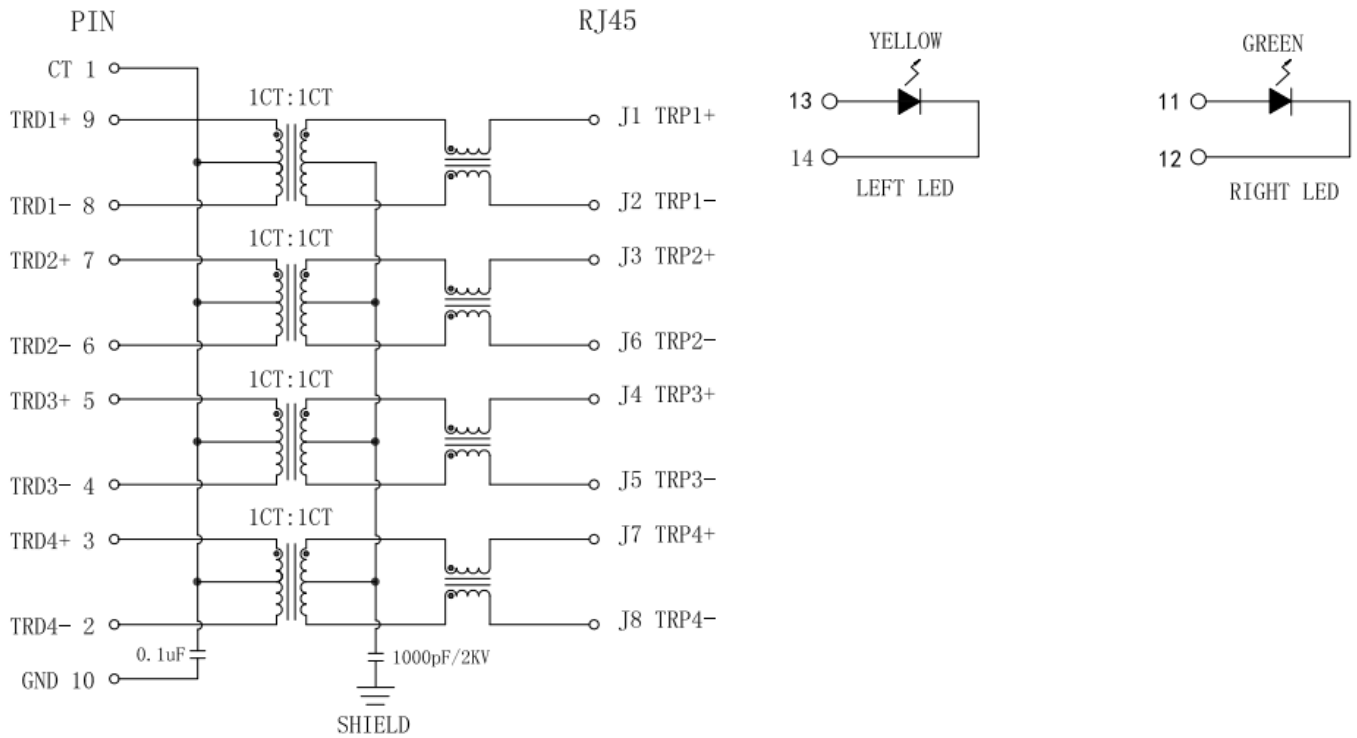
Description

The SRJ110010TVU075M is a RJ45 connector with 1000 Base-T and integrated magnetics.

The connector is designed to support application such as SOHO (ADSL modems), LAN-on-Motherboards(LOM), Hub and Switches.

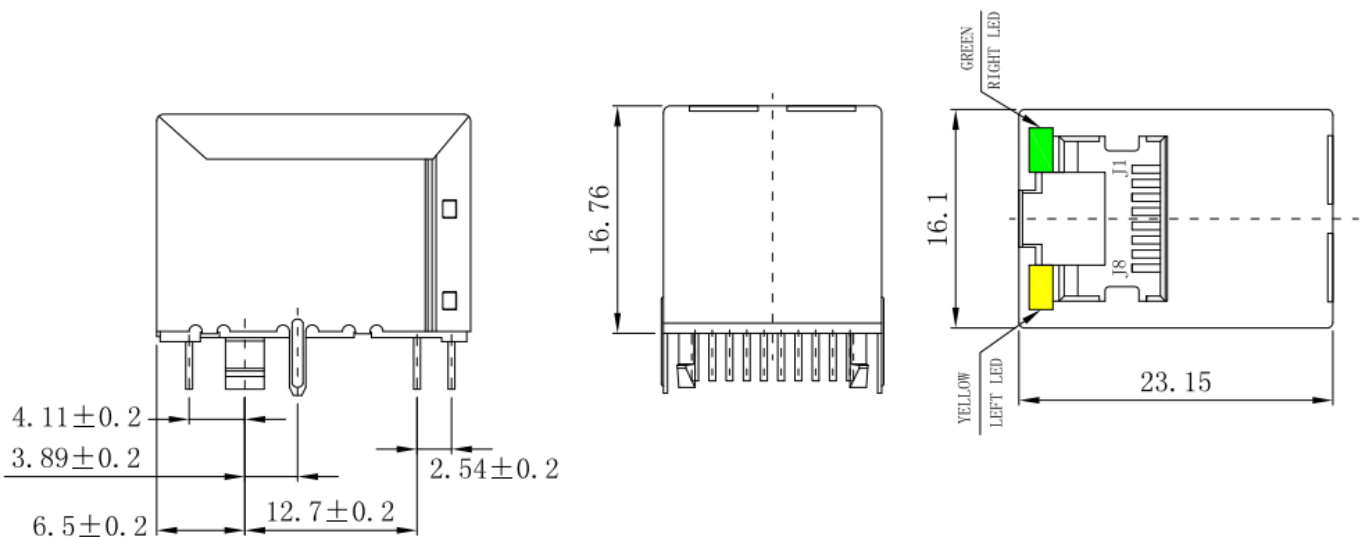
SRJ110010TVU075M, RJ45 Connector, 1000 Base-T, Magnetics

Electrical



Dimensions

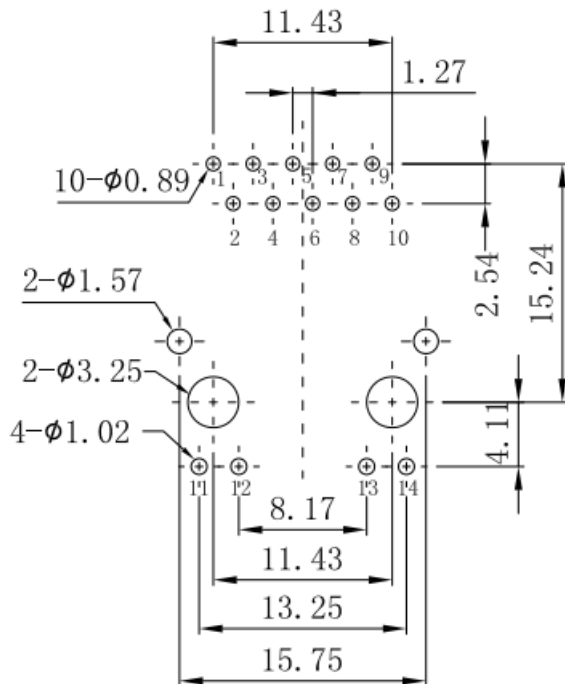
*unit: mm



SRJ110010TVU075M, RJ45 Connector, 1000 Base-T, Magnetics

PCB Footprint

*unit: mm



Ordering information

Ordering can be done via www.summit-electronics.com or via info@summit-electronics.com. Please contact us for more information. Customisation of the product is available on request.

Technical support

For all product questions please contact us via info@summit-electronics.com